

"Econo" Separate-vacuum Hopper Loaders

SAL - G series "Econo" separate - vacuum hopper loaders are suitable for conveying material over long distance. SAL - 700G / 800G / 800G2 are for one to one combination, while SAL 900G / 900G2 are for one to two combination. All models adopt stainless steel hopper to ensure no contamination to raw material. High efficiency high pressure blower features light weighted, durable, great suction power, easy installation and operation.

Features

- Stainless hopper receiver to eliminate contamination.
- Microprocessor controlled for ease of use and has multiple alarm indicators.
- Motor overload protector ensures long motor life.
- Audible material shortage alarm.
- Filter designed for easy cleaning and has filter status checking window for easier monitor of filter condition.
- Both vacuum hopper (SMH type) and photosensor hopper (SVH type) can be directly mounted on moulding machine's feed port. The above mentioned loaders adopt stainless steel mesh as standard.
- Cyclone separator to reduce filter clean frequency when used for dusty regrind materials.
- It is available to select SCH – 6 storage bin and SMH – 6L / 12 L vacuum hopper, both of which can be directly mounted on injection moulding machine.
- Proportional valve for mixing virgin and regrind, or for material instant recycling.
- It is available to select 14 – hole stainless steel mesh when regrind materials occupy over 30% of the total conveyed raw materials.
- Upon request, it can be built to comply with worldwide electrical safety standards (For example : CE, UL, CSA, JIS etc.).



SAL-800G + SMH-6L

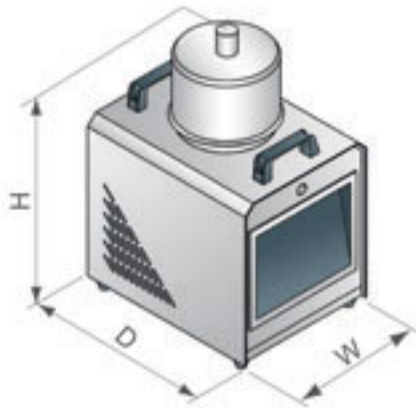


SAL-800G + SVH-6L

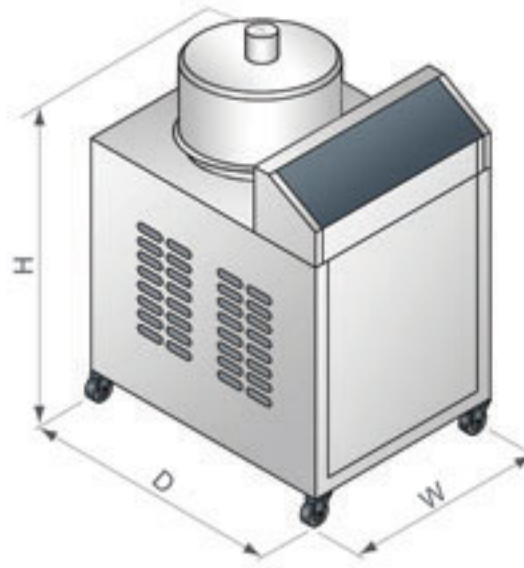


ACF-1 Cyclone Separator

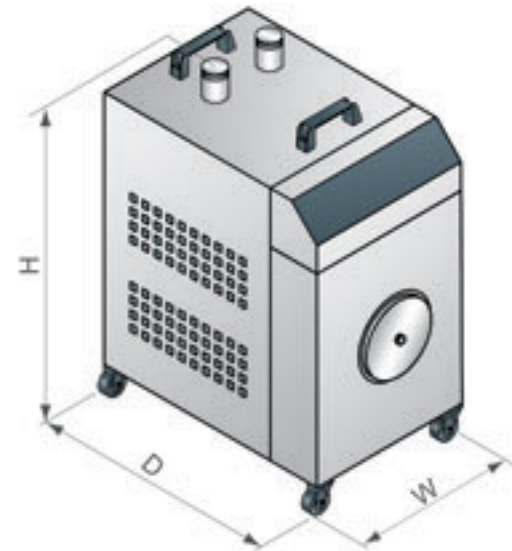
Outline Drawings



SAL-700G (Main Unit)



SAL-800G / 800G2 (Main Unit)



SAL-900G / 900G2 (Main Unit)

Specifications

Main Unit					Hopper Receiver (s)				Conveying Hose Dia. (inch)	Air Suction Pipe Dia. (inch)	Conveying Capacity (kg / hr. 50Hz)
Model	Motor Type	Motor Power (kW) (50/60Hz)	Dimensions (mm) H×W×D	Weight (kg)	Recommended Model	Hopper Capacity (L)	Dimensions (mm) H×W×D	Weight (kg)			
SAL-700G	Carbon brush	1.15 / 1.32 (1Φ)	590 × 300 × 390	18	SMH-6L	6	460 × 260 × 315	6	1.5"	1.5"	300
					SVH-6L		600 × 260 × 305	7			
SAL-800G	Induction	0.75 / 0.85 (3Φ)	665 × 370 × 405	40	SMH-6L	6	460 × 260 × 315	6	1.5"	1.5"	300
					SVH-6L		600 × 260 × 305	7			
SAL-800G2	Induction	1.5 / 1.8 (3Φ)	665 × 370 × 405	47	SMH-12L	12	515 × 300 × 350	7	1.5"	1.5"	500
					SVH-12L		695 × 300 × 360	11			
SAL-900G	Induction	0.75 / 0.85 (3Φ)	670 × 390 × 740	50	1 × SMH-6L	6	460 × 260 × 315	6	1.5"	1.5"	500
					1 × SVH-6L		600 × 260 × 305	7			
					2 × SMH-6L		460 × 260 × 315	6			
					2 × SVH-6L		600 × 260 × 305	7			
SAL-900G2	Induction	1.5 / 1.8 (3Φ)	670 × 390 × 740	57	1 × SMH-12L	12	515 × 300 × 350	7	1.5"	1.5"	700
					1 × SVH-12L		695 × 300 × 360	11			
					2 × SMH-12L		515 × 300 × 350	7			
					2 × SVH-12L		695 × 300 × 360	11			

Note: 1) * 2 " stands for 2 HP blower.

2) * G " stands for separate design of hopper receiver (s) and main unit.

3) * SVH " stands for glass - tube hopper receiver; * SMH " stands for vacuum hopper receiver.

4) For hopper inside polished ones, plus * P * at model behind.

5) It is available to select ACF - 1 cyclone dust separator (additionally mount at back of main unit).

6) Test condition of conveying capacity: Plastic material of bulk density 0.65, dia. 3 ~ 5 mm, vertical conveying height: 4 m, horizontal conveying distance: 5 m.

7) Power supply: 3Φ, 230 / 400 / 460 / 575V, 50 / 60Hz for all models except SAL - 700G (1Φ, 115 / 230V, 50 / 60Hz).

We reserve the right to change specifications without prior notice.

SHINI PLASTICS TECHNOLOGIES, INC.

Corporate Strategic Center

Overseas Business Department
 Dalang, Dongguan, Guangdong, China
 Tel: (0769) 8111 6600
 Fax: (0769) 8111 6611
 Email: shini@shini.com