

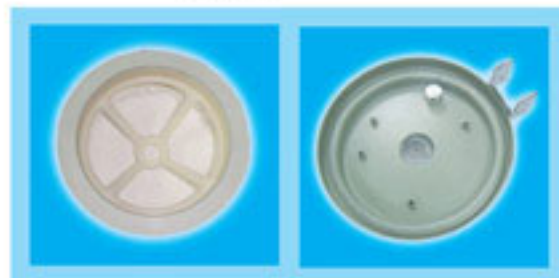
"Econo" Self-contained Hopper Loaders

SAL - 330 / 360 series adopt single phase carbon brush motor with superior suction power and easy installation. It is particularly suitable for conveying new materials.

SAL - 430 / 460 series use a three phase inductive motor with low noise level and long service life. It also has an automatic motor reverse cleaning device.



SAL-460



Cloth Filter

Reverse Cleaning Kit
(SAL-330 / 360)



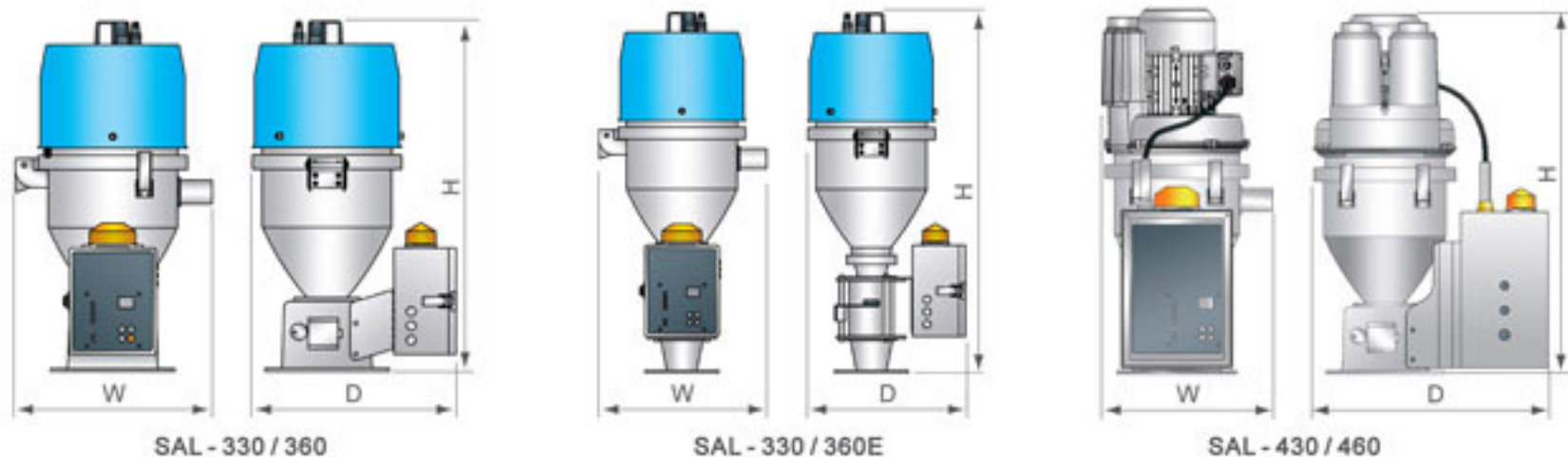
SAL-360

Features

- Easy operation and maintenance.
- Stainless steel hopper, motor protective device.
- SAL - 330E / 360E are equipped with photosensor switch, suitable to directly mount on moulding machine's feed port.
- All the machines are equipped with hinges except for SAL - 430 and SAL - 460.
- SAL - 330 / 360 has standard auto reverse cleaning kit and cloth filter.
- SAL - 430 / 460 has standard cloth filter and motor reverse cleaning function.
- For temporary storage of material, SCH - 6L storage hopper is available for SAL - 330 / 360.
- SPV - U is an optional selection for SAL - 330 / 360. (Including controlbox)
- Buzzer is an optional selection for material shortage alarm.
- Upon request, it can be built to comply with worldwide electrical safety standards (For example : CE, UL, CSA, JIS etc.).



Outline Drawings



Specifications

Model	SAL-330	SAL-330E	SAL-360	SAL-360E	SAL-430	SAL-460
Blower Type	Carbon brush	Carbon brush	Carbon brush	Carbon brush	Inductive	Inductive
Motor Power (kW) (50 / 60Hz)	1.15 / 1.32	1.15 / 1.32	1.15 / 1.32	1.15 / 1.32	0.37 / 0.42	0.75 / 0.85
Conveying Pipe Dia. (inch)	1.5"	1.5"	1.5"	1.5"	1.5"	1.5"
Conveying Capacity (kg / hr, 50Hz)	200	200	300	300	200	300
Hopper Capacity (L)	3	3	6	6	3	6
Input voltage (v)	1Φ, 115 / 230V, 50 / 60Hz				3Φ, 230 / 400 / 460 / 575V, 50 / 60Hz	
Material Level Control	Micro-switch	Photo sensor	Micro-switch	Photo sensor	Micro-switch	Micro-switch
Cloth Filter	Standard	Standard	Standard	Standard	Standard	Standard
Auto-Cleaning Function	Standard	Standard	Standard	Standard	Standard	Standard
Dimensions						
H (mm)	595	730	670	865	660	735
W (mm)	345	345	385	385	310	350
D (mm)	355	325	380	390	430	455
Weight (kg)	13	14	14	15	23	26

Note: 1) For additional glass tube hopper with photosensor switch and non-return valve, plus " E " at model behind.
 2) For hopper inside polished ones, plus " P " at model behind.
 3) Test condition of conveying capacity: Plastic material of bulk density 0.65, dia. 3 ~ 5 mm, vertical conveying height: 4 m, horizontal conveying distance: 1 m.

We reserve the right to change specifications without prior notice.

SHINI PLASTICS TECHNOLOGIES, INC.

Corporate Strategic Center
 Overseas Business Department:
 Dalang, Dongguan, Guangdong, China
 Tel: (0769) 8111 6600
 Fax: (0769) 8111 6611
 Email: shini@shini.com