

Honeycomb Dehumidifiers

SD-H series honeycomb dehumidifiers are mainly used to dry hygroscopic engineering plastics. A honeycomb-rotor is used to offer effective drying, which under ideal conditions, can supply dehumidified dry air with a dewpoint lower than $-40\text{ }^{\circ}\text{C}$. This series comprises 14 models of honeycomb dehumidifiers, the largest of which can provide dry air up to a quantity of $4,000\text{ m}^3/\text{hr}$.



SD-50H-D



SD-300H-LC-D

Features

- This series use P.I.D temperature control system, has regenerative temperature settings and real temperature display functions.
- The dehumidifying system of the SD-H series features two condensers to ensure a low return air temperature and low dew-point.
- Return air filter is mounted inside to ensure no contamination to the honeycomb.
- Centralized automatic control can be realized by optionally selected PLC touch screen controller.
- Optionally select dewpoint monitor to realize dewpoint real-time monitoring.
- Optionally select drying heater and its temp. controller to work with drying hopper for material dehumidifying and drying.
- Optional heat-resistant air pipe, cyclone dust separator with floor stand, oil filter are available.
- Upon request, it can be built to comply with worldwide electrical safety standards (For example : CE, UL, CSA, JIS etc.).



Optional Accessories



Material Suction Boxes

Euro-style in appearance design, work with dryer that has floor stand and vacuum loader, suitable for material suction and discharging.

Model	SHD-20U-120U	SHD-160U及以上
SBU	-20-38S	-160-38S
SBU	-20-50S	-160-50S
SBU	-20-38D	-160-38D
SBU	-20-50D	-160-50D

- Note:
- 1) Install pneumatic shut off valve (plus " V " at the back of model);
 - 2) Change into stainless steel (plus " S " at the back of model);
 - 3) Suction box inside polished (plus " P " at the back of model);
 - 4) Single tube suction box (plus " S " at the back of model); Double tube suction box (plus " D " at the back of model).



Floor Stand
(SHD-20U-750U Applicable)



Floor Stand
(SHD-900U-8000U Applicable)

Floor Stands

Support dryer and hopper loader, easy for installation and transportation.

Model	Applicable Model	Dimensions (mm)		
		Length	Width	Height
FSU-20	SHD-20U	550	450	790
FSU-40	SHD-40U			
FSU-80	SHD-80U / 120U	722	552	840
FSU-160	SHD-160U / 230U	795	652	920
FSU-300	SHD-300U / 450U	930	790	970
FSU-600	SHD-600U / 750U	1200	1000	1130
FSU-900	SHD-900U / 1200U	1200	1200	1320
FSU-1500	SHD-1500U / 2000U	1500	1500	1400
FSU-2500	SHD-2500U-3500U	1640	1640	1500
FSU-4000	SHD-4000U-5500U	1900	1900	1650
FSU-6000	SHD-6000U-8000U	2100	2100	1850



Hopper Magnets

Absorb metal scraps in the material so to avoid the damage of molding screw.

Model	Applicable Model	Aluminum Holder
MR-5	SHD-20U	(148 × 80 × 2.3) × 2
MR-7	SHD-40U-80U	(190 × 80 × 2.3) × 2
MR-9	SHD-160U-600U	(240 × 80 × 2.3) × 2
MR-11	SHD-900U and above	(298 × 80 × 2.3) × 2



Magnetic Bases

Including aluminum and stainless steel type, can work with dryers to effectively absorb the metal scraps so to avoid material contamination.

Model	Applicable Model	Magnet Type	Aluminum Holder
MB-12	SHD-20U	MR-3	(88.5 × 78 × 2.3) × 2
MB-20U			
MB-50			
MB-40U	SHD-40U - 120U		(118.5 × 105 × 2.3) × 2
MB-100			
MB-160U	SHD-160U - 450U		(147 × 130 × 2.3) × 2
MB-400			
MB-600U	SHD-600U - 1200U		

Note: " U " represents stainless steel base.

Blower Inlet Filters

Effectively filters 80% dust-contain air from dryer.



Model	Filtering Barrel Dia. (mm)	Air Inlet Pipe Dia. (mm)	Air Outlet Pipe Dia. (mm)	Applicable Models	Fixed Plate	Blower Flange (With Air Quantity Adjustor)
AIF-20U	160	1.5"	2"	SHD-20U	SHD-20U	Air Inlet Flange for 0.12kW Blower
AIF-40U				SHD-40U	SHD-40U	
AIF-80U	225	2"	3"	SHD-80U / 120U	SHD-80U / 120U	Air Inlet Flange for 0.12kW Blower
AIF-160U	225	2.5"	3"	SHD-160U / 230U	SHD-160U / 230U	Air Inlet Flange for 0.18kW Blower
AIF-300U	225	2.5"	4"	SHD-300U / 450U	SHD-300U / 450U	Air Inlet Flange for 0.25kW Blower
AIF-600U	225	3"		SHD-600U / 750U	SHD-600U / 750U	Air Inlet Flange for 0.55kW Blower
AIF-900U	225	4"		SHD-900U / 1200U	SHD-900U / 1200U	

Hot Air Recyclers

Work with hopper dryer to make hot air form a semi-hermetic circulated loop, it has features as follows:

- 1) Hot air recycling and circulating so to avoid indoor temp. rise up.
- 2) Keep air in factory clean and ensure product quality.
- 3) Save energy consumption up to 40% due to heat brought from hot air recycling.
- 4) Economical and compact design make it suitable for all hopper dryers.
- 5) Air supply adjustable.



Model	Filtering Barrel Dia. (mm)	Air Inlet Pipe Dia. (inch)	Air Outlet Pipe Dia. (inch)	Applicable Models	Fixed Plate	Blower Flange (With Air Quantity Adjustor)
HAR-20U	160	1.5"	2"	SHD-20U	SHD-20U	Air Inlet Flange for 0.12kW Blower
HAR-40U				SHD-40U	SHD-40U	
HAR-80U	225	2"	3"	SHD-80U / 120U	SHD-80U / 120U	Air Inlet Flange for 0.12kW Blower
HAR-160U	225	2.5"	3"	SHD-160U / 230U	SHD-160U / 230U	Air Inlet Flange for 0.18kW Blower
HAR-300U	225	2.5"	4"	SHD-300U / 450U	SHD-300U / 450U	Air Inlet Flange for 0.25kW Blower
HAR-600U	225	3"		SHD-600U / 750U	SHD-600U / 750U	Air Inlet Flange for 0.55kW Blower
HAR-900U	225	4"		SHD-900U / 1200U	SHD-900U / 1200U	

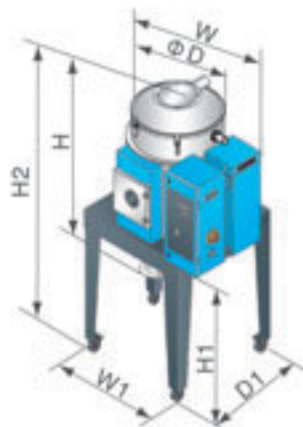
Exhaust Air Filters

Effectively filters 90% dust-contain air from dryer so to avoid air pollution.

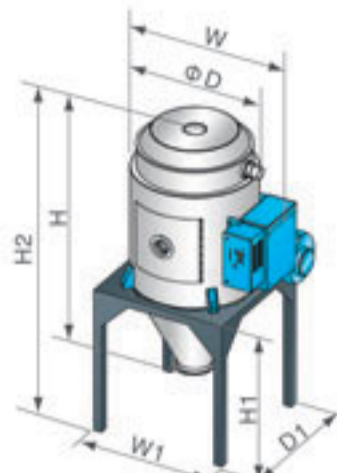


Model	Filtering Barrel Dia. (mm)	Air Inlet Pipe Dia. (inch)	Air Outlet Pipe Dia. (inch)	Applicable Models	Fixed Plate
ADC-20U	159	1.5"	2"	SHD-20U	SHD-20U
ADC-40U				SHD-40U	SHD-40U
ADC-80U	225	2"	3"	SHD-80U / 120U	SHD-80U / 120U
ADC-160U	225	2.5"	3"	SHD-160U / 230U	SHD-160U / 230U
ADC-300U	225	2.5"	4"	SHD-300U / 450U	SHD-300U / 450U
ADC-600U	225	3"		SHD-600U / 750U	SHD-600U / 750U
ADC-900U	225	4"		SHD-900U / 1200U	SHD-900U / 1200U

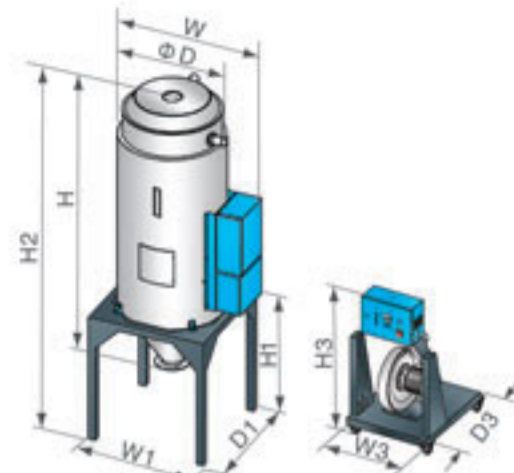
Outline Drawings



SHD-20U ~ 750U
(Include Floor Stand)



SHD-900U ~ 1200U
(Include Floor Stand)



SHD-1500U ~ 8000U
(Include Floor Stand)

Specifications

Model	Heater Power (kW)	Blower (kW) (50/60Hz)	Hopper Capacity (L)	Dimensions (mm) H×W×D	Floor Stand (mm) H1×W1×D1	Whole Height (mm) H2	Air Inlet Pipe Dia. ΦA (inch)	Air Outlet Pipe Dia. ΦB (inch)	Blower Stand (mm) H3×W3×D3	Weight (kg)
SHD-20U	2.2	0.05/0.058	20	730×575×325	790×450×550	1260	2"	1.5"	-----	40
SHD-40U	3	0.12/0.14	40	760×640×390	790×450×550	1295			-----	45
SHD-80U	3.9	0.12/0.14	80	940×722×475	840×552×722	1465	2.5"	2"	-----	50
SHD-120U	3.9	0.12/0.14	120	1210×722×475	840×552×722	1735			-----	60
SHD-160U	6	0.18/0.20	160	1225×822×575	920×652×795	1825	3"	2.5"	-----	90
SHD-230U	6	0.18/0.20	230	1505×822×575	920×652×795	2105			-----	100
SHD-300U	12	0.25/0.28	300	1450×945×695	970×790×930	2085			-----	130
SHD-450U	12	0.25/0.28	450	1850×945×695	970×790×930	2435	4"	3"	-----	160
SHD-600U	18	0.55/0.63	600	1820×1170×915	1130×1000×1200	2470			-----	200
SHD-750U	18	0.55/0.63	750	2100×1170×915	1130×1000×1200	2780			-----	220
SHD-900U	18	0.55/0.63	900	2070×1340×1050	1320×1200×1200	2730	4"	4"	-----	250
SHD-1200U	18	0.55/0.63	1200	2500×1340×1050	1320×1200×1200	3160			-----	380
SHD-1500U	32	3/3	1500	2950×1542×1250	1400×1500×1500	3470	5"	5"	1210×660×800	495
SHD-2000U	32	3/3	2000	3350×1542×1250	1400×1500×1500	3870			1210×660×800	570
SHD-2500U	48	5.5/5.5	2500	3510×1770×1400	1500×1640×1640	4050	6"	6"	1310×780×850	620
SHD-3000U	48	5.5/5.5	3000	3910×1770×1400	1500×1640×1640	4400			1310×780×850	700
SHD-3500U	64	7.5/7.5	3500	4310×1770×1400	1500×1640×1640	4800			1310×780×850	785
SHD-4000U	64	7.5/7.5	4000	4050×1980×1600	1650×1900×1900	4550	8"	8"	1310×780×850	860
SHD-4500U	80	11/11	4500	4350×1980×1600	1650×1900×1900	4850			1450×850×900	940
SHD-5000U	80	11/11	5000	4650×1980×1600	1650×1900×1900	5150			1450×850×900	1050
SHD-5500U	96	15/15	5500	4950×1980×1600	1650×1900×1900	5450			1450×850×900	1120
SHD-6000U	96	15/15	6000	4350×2220×1800	1850×2100×2100	5100			1450×850×900	1210
SHD-6500U	112	18.5/18.5	6500	4600×2220×1800	1850×2100×2100	5350			1550×900×1000	1285
SHD-7000U	112	18.5/18.5	7000	4850×2220×1800	1850×2100×2100	5600			1550×900×1000	1375
SHD-8000U	128	22/22	8000	5350×2220×1800	1850×2100×2100	5850			1550×900×1000	1445

- Note: 1) For polished hopper inside, plus " P " at model behind.
 2) Mark " HT " at the back of models when 180°C high-temp is requested.
 3) Blower is included in machine net weight, but floor stand is not included.
 4) Power supply: 3Φ, 230 / 400 / 460 / 575V, 50 / 60Hz.

We reserve the right to change specifications without prior notice.

SHINI PLASTICS TECHNOLOGIES, INC.

Corporate Strategic Center
 Overseas Business Department:
 Dalang, Dongguan, Guangdong, China
 Tel: (0769) 8111 6600
 Fax: (0769) 8111 6611
 Email: shini@shini.com